



VALKEA
SCANDINAVIAN CABINS

Valkea Scandinavian Log Cabins Collection

From Award Leisure

With the Valkea Garden Buildings product range you can make your outdoor dreams come true. Our specially chosen designs for buildings, hot tub enclosures, summerhouses and cottage style log cabins are sure to provide the perfect solution to your garden building needs. Quality is assured with our **5 year guarantee**.



The mark of
responsible forestry

Social Responsibility

Although wood is a sustainable and regenerative natural resource, forestry requires careful and responsible management.

An uncaring and irresponsible attitude towards forestry management will inevitably harm our environment significantly.

We all have heard stories about the loss of some rain-forests, but this concern applies equally to our Nordic and Cedar forests as well.

Valkea is FSC certified ensuring that we use wood from responsibly managed forests.

Nordic Spruce

All Valkea Garden Building products are made of Nordic spruce. Due to the long and cold winters the trees are growing slowly, which makes the timber especially thick and durable. And the aroma - there is nothing to compare to the wonderful aroma of fresh timber.

5 Years Warranty

We are sure about what we do and therefore we give 5 years guarantee to all our products. Our products are well known for their quality. We also process and package our products using the latest technology and machinery. We'd be delighted to begin your Valkea experience today.

No Planning Required

Explore our wonderful selection of log cabins which do not require for you to obtain planning permission. We offer a selection of prices, log thickness's and differences in appearances for a variety of uses. So, if you're looking for a garden office, alfresco hideaway, hot tub retreat or you are kindly concerned for your neighbour's outlook, we have the perfect collection of cabins under 2.5 meters high.

Summer Houses

A Summer House is the perfect place to spend time with friends and family, while enjoying and using your garden space all year round. Within the vicinity of your home, you can relax, work and play without running out of house space. Our Summer House range has larger windows and doors, alongside contemporary shapes throughout which enhance your garden space.

Log Cabins

Built to last, our selection of log cabins has been carefully selected to grace any garden and suit the demands of modern day families. We recognise that log cabins are being used for creating additional living space, recreational space and entertaining both family and friends.

Cottages for Living

Create a unique living space and an exceptionally distinctive home. Our range of sturdy cabins have a range of cool features, such as surrounding terraces and porches, skylights in ceiling, upper floors and glass surrounding walls. Every cabin has been designed to subtly blend into its natural surroundings and offer a warm and hearty welcome, every time you return.

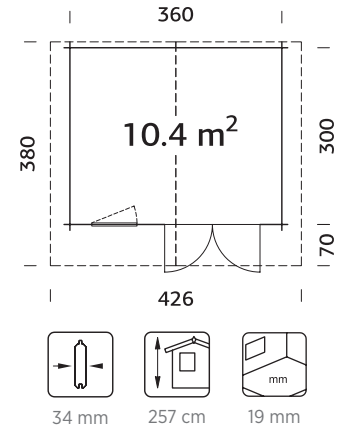
North Carolina Log Cabin

UNDER PLANNING 2.5M



MODEL SPECIFICATIONS

- Footprint: 426 x 380 cm
- Internal Wall Measurement: 360 x 300 cm
- Log Measurements: 380 x 320 cm
- Wall Height: 205 cm
- Volume: 23.9 m³
- Door/Window Glass: Real glass, 4 mm
- Window Opening: 66 x 89 cm
- Door Opening: 151 x 175 cm
- Door Sill: Low, covered with stainless steel
- Roof & Floor Boards: 19 mm
- Roof Area: 16.8 m²
- Roof Gradient: 16.2°

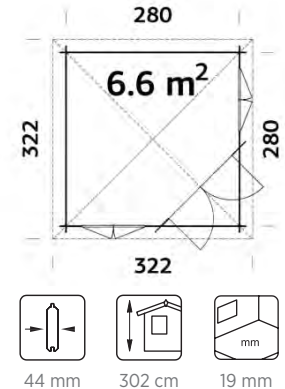


Kentucky Summerhouse



MODEL SPECIFICATIONS

- Footprint: 322 x 322 cm
- Internal Wall Measurement: 280 x 280 cm
- Log Measurements: 300 x 300 cm
- Wall Height: 222 cm
- Volume: 16.3 m³
- Door/Window Glass: Real Double Glass
- Window Opening: 90 x 123 cm
- Door Opening: 114 x 186 cm
- Roof Boards: 16 mm
- Roof Area: 8.4 m²
- Roof Gradient: 25.0°



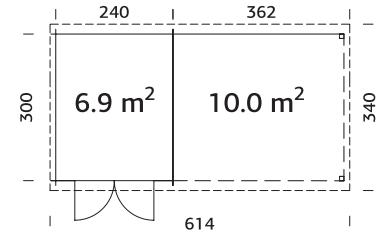
Honolulu Log Cabin

UNDER PLANNING 2.5M



MODEL SPECIFICATIONS

Footprint: 614 x 300 cm
Internal Wall Measurement: 502 x 340 cm
Log Measurements: 610 x 320 cm
Wall Height: 199 cm
Volume: 14.2M³+19.9M³
Door/Window Glass: Real glass, 4 mm
Door Opening: 151 x 175 cm
Door Sill: Low, covered with stainless steel
Roof Boards: 19 mm
Roof Area: 20.5 m²
Roof Gradient: 2.2°



28 mm



214 cm



19 mm

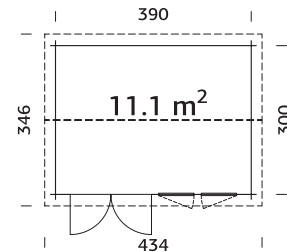
Hawaii Log Cabin

UNDER PLANNING 2.5M



MODEL SPECIFICATIONS

Footprint: 434 x 346 cm
Internal Wall Measurement: 390 x 300 cm
Log Measurements: 410 x 320 cm
Wall Height: 211 cm
Volume: 25.3 m³
Door/Window Glass: Real Double Glass, 3-6-3 mm
Window Opening: 60 x 111 cm
Door Opening: 151 x 175 cm
Door Sill: Low, covered with stainless steel
Roof Boards: 19 mm
Roof Area: 15.1 m²
Roof Gradient: 13.2°



Includes door and window bars



44 mm



245 cm



Included
19 mm

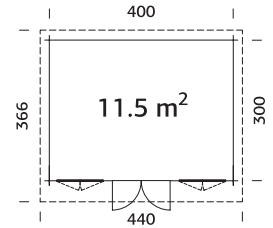
Cleveland Log Cabin

UNDER PLANNING 2.5M



MODEL SPECIFICATIONS

- Footprint: 440 x 366 cm
- Internal Wall Measurement: 400 x 300 cm
- Log Measurements: 420 x 320 cm
- Wall Height: 211 cm
- Volume: 25.6m³
- Door/Window Glass: Real glass, 4 mm
- Window Opening: 90 x 124 cm
- Window Opening: 90 x 124 cm
- Door Opening: 114 x 187 cm
- Door Sill: Low, covered with stainless steel
- Roof Boards: 19 mm
- Roof Area: 16.1 m²
- Roof Gradient: 4.4°



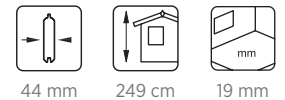
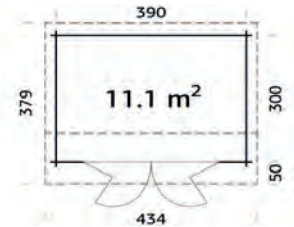
Michigan Log Cabin

UNDER PLANNING 2.5M



MODEL SPECIFICATIONS

- Footprint: 434 X 379 cm
- Internal Wall Measurement: 390 x 300 cm
- Log Measurements: 410 X 320 cm
- Wall Height: 249 cm
- Volume: 25.5m³
- Door/Window Glass: Real Double Glass
- Window Opening: N/A
- Door Opening: 265 x 183cm
- Roof Boards: 19 mm
- Roof Area: 16.3m² / 8.0
- Roof Gradient: 35.2°



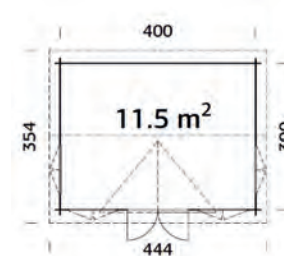
Brookhaven Log Cabin

UNDER PLANNING 2.5M



MODEL SPECIFICATIONS

Footprint: 444 x 354 cm
Internal Wall Measurement: 400 x 300 cm
Log Measurements: 420 x 320 cm
Wall Height: 234 cm
Volume: 32.9 m³
Door/Window Glass: Real glass, 4 mm
Window Opening: 90 x 123 cm
Door Opening: 114 x 186 cm
Roof Boards: 19 mm
Roof Area: 21.0m²
Roof Gradient: 35.2° and 40.7°



34 mm



250 cm



19 mm

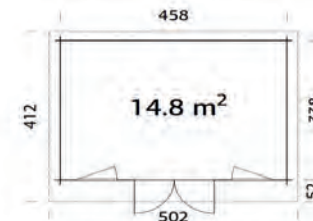
Conneticut 1 Log Cabin

UNDER PLANNING 2.5M



MODEL SPECIFICATIONS

Footprint: 502 x 412 cm
Internal Wall Measurement: 458 x 338 cm
Log Measurements: 478 x 358 cm
Wall Height: 249 cm
Volume: 34.8 m³
Door/Window Glass: Real Double Glass
Window Opening: 66 x 168 cm
Door Opening: 151 x 186 cm
Roof Boards: 19 mm
Roof Area: 20.4 m²
Roof Gradient: 2.8°



44 mm



249 cm



19 mm

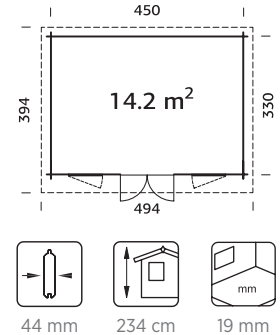
Tucson Log Cabin

UNDER PLANNING 2.5M



MODEL SPECIFICATIONS

- Footprint: 494 x 394 cm
- Internal Wall Measurement: 450 x 330 cm
- Log Measurements: 470 x 350 cm
- Wall Height: 211 cm
- Volume: 31.6 m³
- Door/Window Glass: Real Double Glass, 3-6-3 mm
- Window Opening: 60 x 111 cm
- Door Opening: 151 x 175 cm
- Door Sill: Low, covered with stainless steel
- Roof Boards: 19 mm
- Roof Area: 19.2 m²
- Roof Gradient: 4.0°

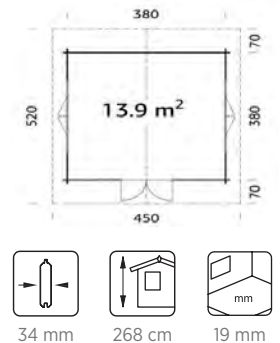


Vermont Log Cabin Summerhouse



MODEL SPECIFICATIONS

- Footprint: 450 x 520 cm
- Internal Wall Measurement: 380 x 380 cm
- Log Measurements: 400 x 400 cm
- Wall Height: 205 cm
- Volume: 32.9 m³
- Door/Window Glass: Real glass, 4 mm
- Window Opening: 90 x 134 cm
- Door Opening: 114 x 186 cm
- Roof Boards: 16 mm + Polycarbonate Sheets
- Roof Area: 24.4 m²
- Roof Gradient: 18.6°

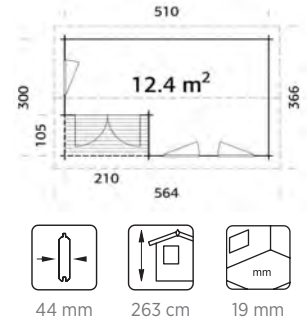


Oregon 1 Log Cabin



MODEL SPECIFICATIONS

- Footprint: 564 x 405 cm
- Internal Wall Measurement: 510 x 366 cm
- Log Measurements: 530 x 386 cm
- Wall Height: 205 cm
- Volume: 28.6m³
- Door/Window Glass: Real Double Glass
- Window Opening: 76 x 85 cm
- Door Opening: 151 x 186 cm
- Roof Boards: 19 mm
- Roof Area: 21.4 m²
- Roof Gradient: 18.4°



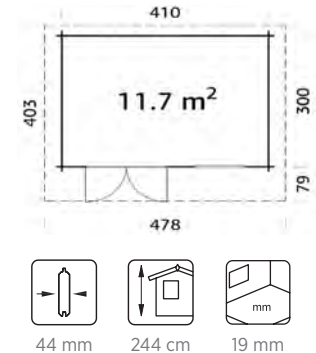
Idaho 3 Log Cabin

UNDER PLANNING 2.5M



MODEL SPECIFICATIONS

- Footprint: 478 x 403 cm
- Internal Wall Measurement: 410 x 300 cm
- Log Measurements: 430 x 320 cm
- Wall Height: 222 cm
- Volume: 26.7 m³
- Door/Window Glass: Double Toughened Glass
- Window Opening: 90 x 168 cm
- Door Opening: 151 x 183 cm
- Roof Boards: 19 mm
- Roof Area: 18.6 m²
- Roof Gradient: 2.2°

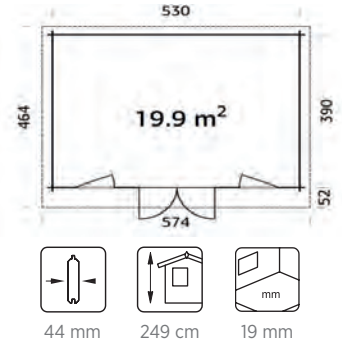


Conneticut 2 Log Cabin



MODEL SPECIFICATIONS

Footprint: 574 x 464 cm
Internal Wall Measurement: 530 x 390 cm
Log Measurements: 550 x 410 cm
Wall Height: 249 cm
Volume: 46.8m³
Door/Window Glass: Double Glass
Window Opening: 66 x 168 cm
Door Opening: 151 x 186 cm
Roof Boards: 19 mm
Roof Area: 26.3 m²
Roof Gradient: 2.4°

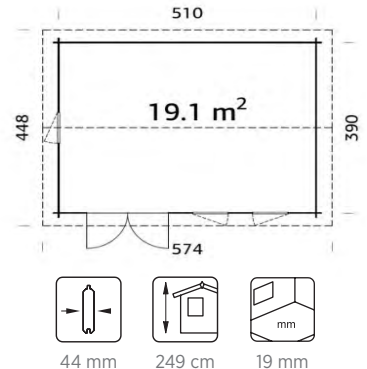


Jefferson Log Cabin



MODEL SPECIFICATIONS

Footprint: 574 x 448 cm
Internal Wall Measurement: 510 x 390 cm
Log Measurements: 530 x 410 cm
Wall Height: 211 cm
Volume: 45.2 m³
Door/Window Glass: Real Double Glass
Window Opening: 66 x 111 cm
Door Opening: 157 x 175 cm
Roof Boards: 19 mm
Roof Area: 26.2 m²
Roof Gradient: 15.1°



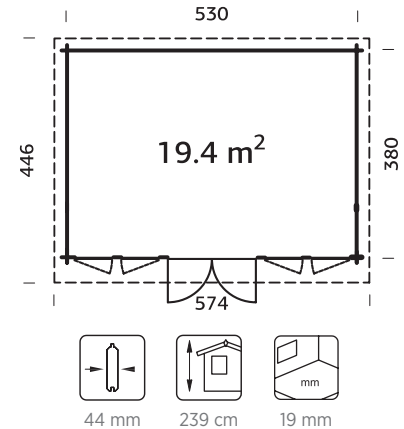
Seattle Log Cabin

UNDER PLANNING 2.5M



MODEL SPECIFICATIONS

- Footprint: 574 x 446 cm
- Internal Wall Measurement: 530 x 380 cm
- Log Measurements: 550 x 400 cm
- Wall Height: 200 cm
- Volume: 41,9 m³
- Door/Window Glass: Double glass, 3-6-3 mm
- Window Opening: 60 x 111 cm
- Door Opening: 151 x 175 cm
- Door Sill: Low, covered with stainless steel
- Roof Boards: 19 mm
- Roof Area: 25.4 m²
- Roof Gradient: 5.2°

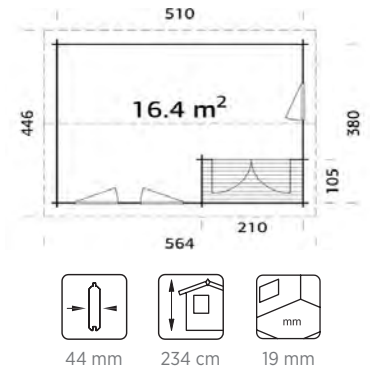


Oregon 2 Log Cabin



MODEL SPECIFICATIONS

- Footprint: 564 x 446 cm
- Internal Wall Measurement: 510 x 380 cm
- Log Measurements: 530 x 400 cm
- Wall Height: 205 cm
- Volume: 37.2 m³
- Door/Window Glass: Real Double Glass
- Window Opening: 76 x 85 cm
- Door Opening: 151 x 186 cm
- Roof Boards: 19 mm
- Roof Area: 26.1 m²
- Roof Gradient: 18.5°



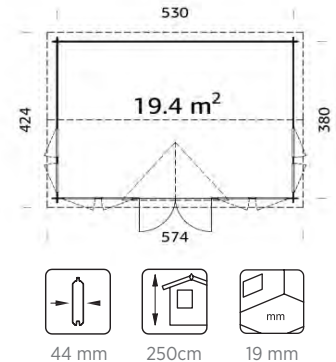
Hamptons Log Cabin

UNDER PLANNING 2.5M



MODEL SPECIFICATIONS

Footprint: 574 x 424 cm
Internal Wall Measurement: 530 x 380 cm
Log Measurements: 550 x 400 cm
Wall Height: 222 cm
Volume: 47.3 m³
Door/Window Glass: Real Double Glass
Window Opening: 60 x 111 cm
Door Opening: 151 x 175 cm
Roof Boards: 19 mm
Roof Area: 29.6 m²
Roof Gradient: 18.5° & 10°

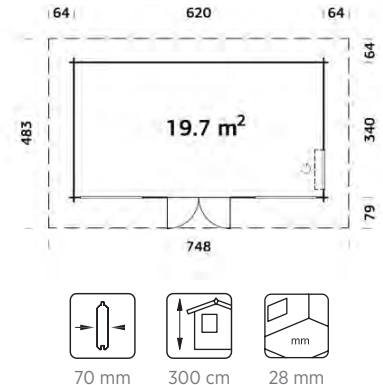


Idaho 2 Log Cabin



MODEL SPECIFICATIONS

Footprint: 748 x 483 cm
Internal Wall Measurement: 620 x 340 cm
Log Measurements: 640 x 360 cm
Wall Height: 236 cm
Volume: 49.5 m³
Door/Window Glass: Double Toughened Glass
Window Opening: 90 x 196 cm
Door Opening: 148 x 201 cm
Roof Boards: 19 mm
Roof Area: 26.3 m²
Roof Gradient: 2.4°



Idaho 1 Log Cabin



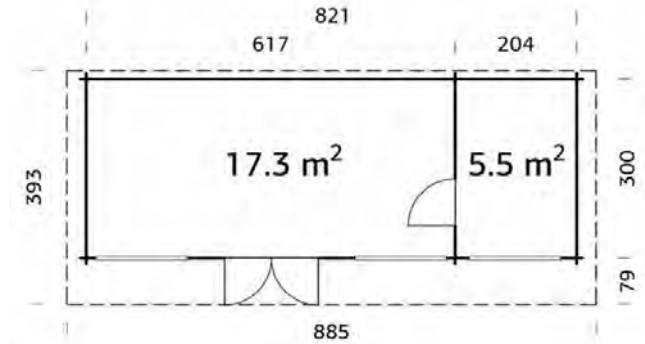
70 mm



302 cm



28 mm



MODEL SPECIFICATIONS

Footprint: 885 x 393 cm

Internal Wall Measurement: 821 x 300 cm

Log Measurements: 841 x 320 cm

Wall Height: 236 cm

Volume: 59.2 m³

Door/Window Glass: Double glass, 4-9-4 mm

Window Opening: 143 X 194 (2), 143 X 42cm

Door Opening: 73 X 193, 148 X 201cm

Door Sill: Low, covered with stainless steel

Roof Boards: 19 mm

Roof Area: 34.6 m²

Roof Gradient: 9.0°





Valkea cabins are perfect for escaping from everyday life, or for that all important separation of work / home life, or for enhancing your outdoor area.

We aim to help create this space for you by bringing joy to your garden – a place to rest, to relax, to spend time with your loved ones and to collect special moments

The joy of being in the garden.

We all strive to achieve ever-greater quality of life. Constantly juggling and the need to spend time with our family - an outdoor area with a full design & installation service will ensure you have a special place - somewhere you can experience special moments.



Ask Us About ...

- Internal & External Lighting
- Underfloor Heating
- Air Conditioning
- Mood Lighting
- Insulation
- Vinyl Flooring
- Room Separation
- EPDM Tiles
- UPVC Doors
- Painting / Finishing
- Pool Tables
- Gym Equipment

All our cabins include shingles and have a range of options available to provide you with a completed building that you can enjoy for years to come.

Roofing Felt, Roofing Nails, Rain Gutters, Terrace, Extension, Canopy Roof, Additional Door and Window.





MORE OUTDOOR PLEASURE

THAN YOU CAN MEASURE

TEL: 0808 169 6555
www.valkeacabins.com